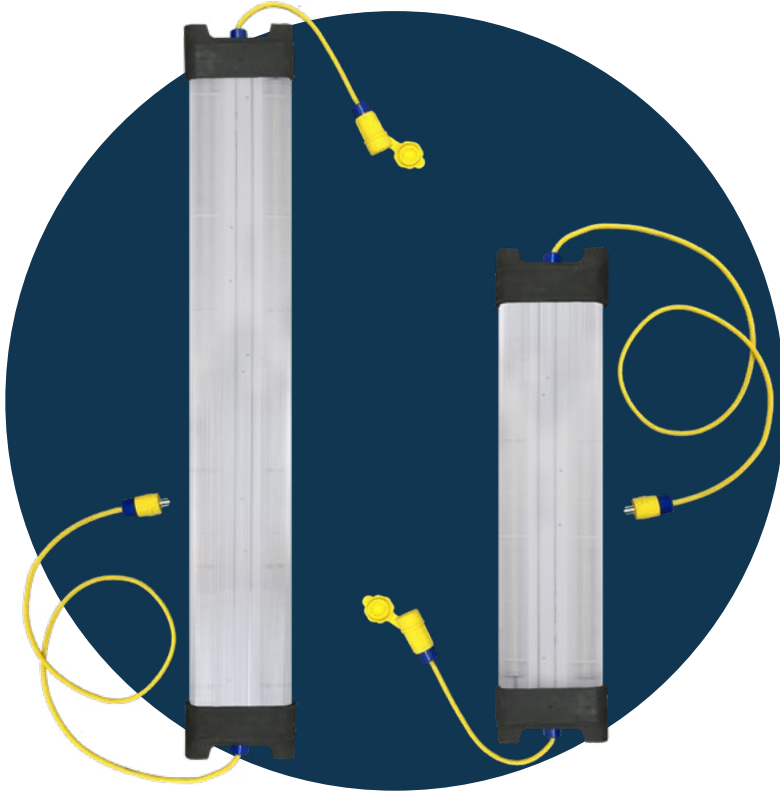


# 1239/1140 2 & 4' Linear LED Wide Area Fixtures

Jobsite Lighting



## Standard Features:

- High efficient LED Array and Driver
- Available in 24" & 48" lengths, with 12,000 and 24,000 lumen outputs
- Prismatic wrap-around lens provides exceptional light distribution
- Robust design with impact resistant materials
- Fixture ends designed to prevent cable pinching
- Available 90-minute battery back-up for emergency egress
- 12-Volt DC version available for confined space, marine and vehicular applications
- Made in USA

## Applications:

- Portable Task Lighting
- Tunnel Lighting
- Temporary High-Bay Lighting
- Stairwells
- Utility Maintenance
- Areas requiring Emergency Egress
- Sporting Events



## Unique Features:



Flexible web ceiling hanger.



Shatter resistant polycarbonate lens.



Optional floor stand. (Holds Two)



Durable indoor & outdoor construction.

# 1239 Selection Guide

	Part No.	Electrical Rating	Primary Cord Length (feet)	Secondary Cord Length (feet)	Primary Plug (NEMA)	Secondary Connector (NEMA)	Lumens	Color	Weight
Standard LED Lighting	1239-6-LED	120VAC, .71A, 85W	5 ft	None	5-15	None	12100	4000K	11.8 lbs.
	1239-6F-LED*	120VAC, .71A, 85W	5 ft	.5 ft	5-15	5-15	12100	4000K	12.6 lbs.
	1239-25-LED	120VAC, .71A, 85W	25 ft	None	5-15	None	12100	4000K	13.4 lbs.
	1239-25F-LED*	120VAC, .71A, 85W	25 ft	.5 ft	5-15	5-15	12100	4000K	15.2 lbs.
Emergency Egress Lighting	1239-6-LED-EL	120VAC, .54A, 65W	5 ft	None	5-15	None	8500	4000K	15.5 lbs.
	1239-6F-LED-EL*	120VAC, .71A, 85W	5 ft	.5 ft	5-15	5-15	8500	4000K	16.4 lbs.
	1239-25-LED-EL	120VAC, .54A, 65W	25 ft	None	5-15	None	8500	4000K	17.2 lbs.
	1239-25F-LED-EL*	120VAC, .54A, 65W	25 ft	.5 ft	5-15	5-15	8500	4000K	19 lbs.
Low Voltage	1239-6-LED-DC	12VDC, 50W	6 ft	None	CF	None	7100	4000K	15.25 lbs
	1239-6F-LED-DC**	12VDC, 50W	6 ft	.5 ft	CF	CF	7100	4000K	15.25 lbs
	1239-25-LED-DC	12VDC, 50W	25 ft	None	CF	None	7100	4000K	15.25 lbs
	1239-25F-LED-DC**	12VDC, 50W	25 ft	.5 ft	CF	CF	7100	4000K	15.25 lbs
	1239-50-LED-DC	12VDC, 50W	50 ft	None	CF	CF	7100	4000K	15.25 lbs
	1239-50F-LED-DC**	12VDC, 50W	50 ft	.5 ft	CF	CF	7100	4000K	15.25 lbs

\* For versions designed for feed-thru applications, maximum 12A or 1500W electrical rating.

\*\*For low voltage versions designed for feed-thru applications, maximum of 3 LV fixtures or 300W.

# 1140 Selection Guide

	Part No.	Electrical Rating	Primary Cord Length (feet)	Secondary Cord Length (feet)	Primary Plug (NEMA)	Secondary Connector (NEMA)	Lumens	Color	Weight
Standard LED Lighting	1140-4-LED	120VAC, 1.46A, 175W	5 ft.	None	5-15	None	23,900	4000K	20.7 lbs.
	1140-4F-LED*	120VAC, 1.46A, 175W	5 ft.	.5 ft.	5-15	5-15	23,900	4000K	21.5 lbs.
	1140-25-LED	120VAC, 1.46A, 175W	25 ft.	None	5-15	None	23,900	4000K	22.3 lbs.
	1140-25F-LED*	120VAC, 1.46A, 175W	25 ft.	.5 ft.	5-15	5-15	23,900	4000K	24.1 lbs.
Emergency Egress Lighting	1140-4-LED-EL	120VAC, 1.08A, 130W	5 ft.	None	5-15	None	16,800	4000K	24.4 lbs.
	1140-4F-LED-EL*	120VAC, 1.08A, 130W	5 ft.	.5 ft.	5-15	5-15	16,800	4000K	25.3 lbs.
	1140-25-LED-EL	120VAC, 1.08A, 130W	25 ft.	None	5-15	None	16,800	4000K	26.1 lbs.
	1140-25F-LED-EL*	120VAC, 1.08A, 130W	25 ft.	.5 ft.	5-15	5-15	16,800	4000K	27.9 lbs.

\* For versions designed for feed-thru applications, maximum 12A or 1500W electrical rating.

## 1239/1140 Replacement Parts:

Part Number	Description	Image Reference
1239-TS	Tube Shield	A
1239-P-BLK	End cap with cord grip bushing. It can be used for the primary and secondary sides with feed-thru	B
1239-S-BLK	End cap without cord grip bushing. It can be used for the secondary side of base units only	C
1140-TS	Tube Shield	A
1140-P-BLK	End cap with cord grip bushing. Used for primary and secondary sides with feed-thru	B
1140-S-BLK	End cap without cord grip bushing. Used for secondary side of base units only	C

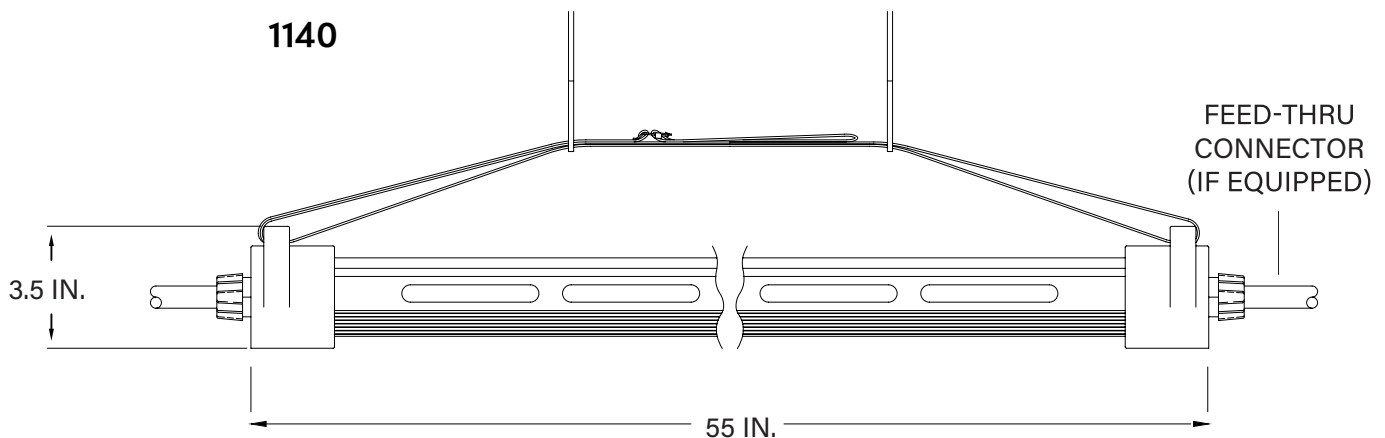
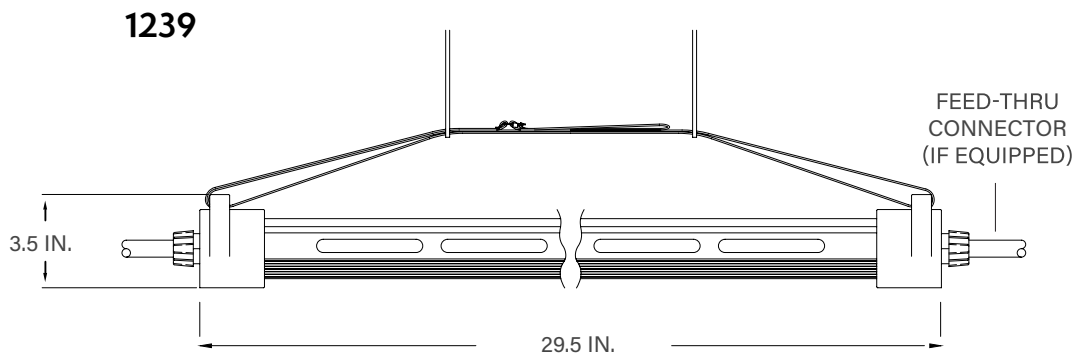


## Accessories & Replacement Parts:

Part Number	Description	Image Reference
FS-PIVOT	Floor stand, pivot, 1239 series wide area fixtures.	A
FS-FOOT	Floor stand, single foot, 1239 series wide area fixtures.	B
1239-MAG	Magnet mount, 1239 series wide area fixtures.	C
1239-LS	Steel lanyard strap, 1239 series wide area fixture.	D
1140-MAG	Magnet mount, 1140 series wide area fixtures.	C
1140-LS	Steel lanyard strap, 1140 series wide area fixture.	D
1140-FS	Portable floor stand for 2, 1140 series wide area fixtures.	E



## Product Dimensions:

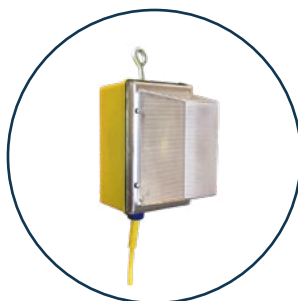


## Related Products:

Click on an image or scan the QR code for more product information.



[1000 Series](#)  
[LED Industrial Work Light](#)



[1001 Series](#)  
[LED Industrial Work Light](#)



[SL Series](#)  
[LED Stringlight](#)



Ericson Manufacturing Company  
4323 Hamann Parkway  
Willoughby, OH 44094, USA



1-800-ERICSON  
info@ericson.com  
L1000871C

ericson.com