

HL LED Series Industrial Handlamps

Jobsite Lighting



ERICSON
SAFETY IS OUR STANDARD



HL06

HL11

HL22



Standard Features:

- cETLus approved for outdoor use/wet locations
- High impact, shatter-proof tube with replaceable frosted tube shield
- Beam angle available in 200° and 360°
- Provided with 16/3 SOOW yellow cord
- Provided with Industrial grade 15A, 125V, watertight plug
- Driver range of 100-277 volts at 50/60 Hz
- Available in 6, 11 & 22in length

Optional Features:

- Other NEMA plug, configurations available
- Custom cable color and printing available
- Can be included with cable reel applications
- Contact Ericson for custom configurations

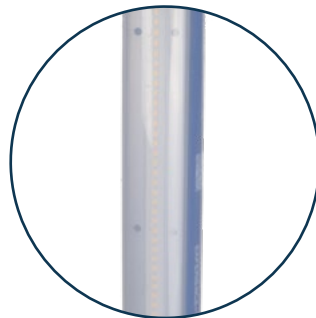
Market Applications:

- Maintenance Task Lighting
- Confined Space Entry
- Aerospace
- Food & Beverage
- Ship Building
- Petrochemical
- Power Generation
- Mining
- Emergency Response
- Military Applications

Unique Features:



High abuse rubber cap with steel hook.



Clear, high impact, shatter proof lens with frosted shield.



Watertight NEMA 5-15 Ericson Perma-Tite Plug



Handle with switch available on **HL06** and **HL11**. Add-HS.

1.800.ERICSON

info@ericson.com

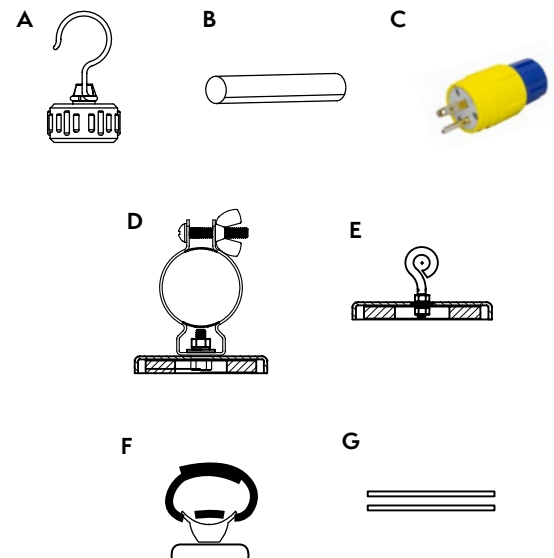
Selection Guide:

Part Number	Lamp Size	Total Net Lumens	16/3 SOOW Yellow Cord Length	Handlamp LED Type	Beam Angle	Electric Rating	Color
*For Handle and Switch, add -HS to end of part number. Available in HL06 and HL11 models.							
HL06-16306Y-1-D*	6"	1000	6	Directional	200	120V, 0.05A, 50/60HZ	4000K
HL06-16325Y-1-D*	6"	1000	25	Directional	200	120V, 0.05A, 50/60HZ	4000K
HL06-16350Y-1-D*	6"	1000	50	Directional	200	120V, 0.05A, 50/60HZ	4000K
HL11-16306Y-1-D*	11"	1800	6	Directional	200	120V, 0.10A, 50/60HZ	4000K
HL11-16306Y-1-360*	11"	1800	6	Omni-directional	360	120V, 0.10A, 50/60HZ	4000K
HL11-16325Y-1-D*	11"	1800	25	Directional	200	120V, 0.10A, 50/60HZ	4000K
HL11-16325Y-1-360*	11"	1800	25	Omni-directional	360	120V, 0.10A, 50/60HZ	4000K
HL11-16350Y-1-D*	11"	1800	50	Directional	200	120V, 0.10A, 50/60HZ	4000K
HL11-16350Y-1-360*	11"	1800	50	Omni-directional	360	120V, 0.10A, 50/60HZ	4000K
HL22-16306Y-1-D	22"	3800	6	Directional	200	120V, 0.21A, 50/60HZ	4000K
HL22-16306Y-1-360	22"	3800	6	Omni-directional	360	120V, 0.21A, 50/60HZ	4000K
HL22-16325Y-1-D	22"	3800	25	Directional	200	120V, 0.21A, 50/60HZ	4000K
HL22-16325Y-1-360	22"	3800	25	Omni-directional	360	120V, 0.21A, 50/60HZ	4000K
HL22-16350Y-1-D	22"	3800	50	Directional	200	120V, 0.21A, 50/60HZ	4000K
HL22-16350Y-1-360	22"	3800	50	Omni-directional	360	120V, 0.21A, 50/60HZ	4000K

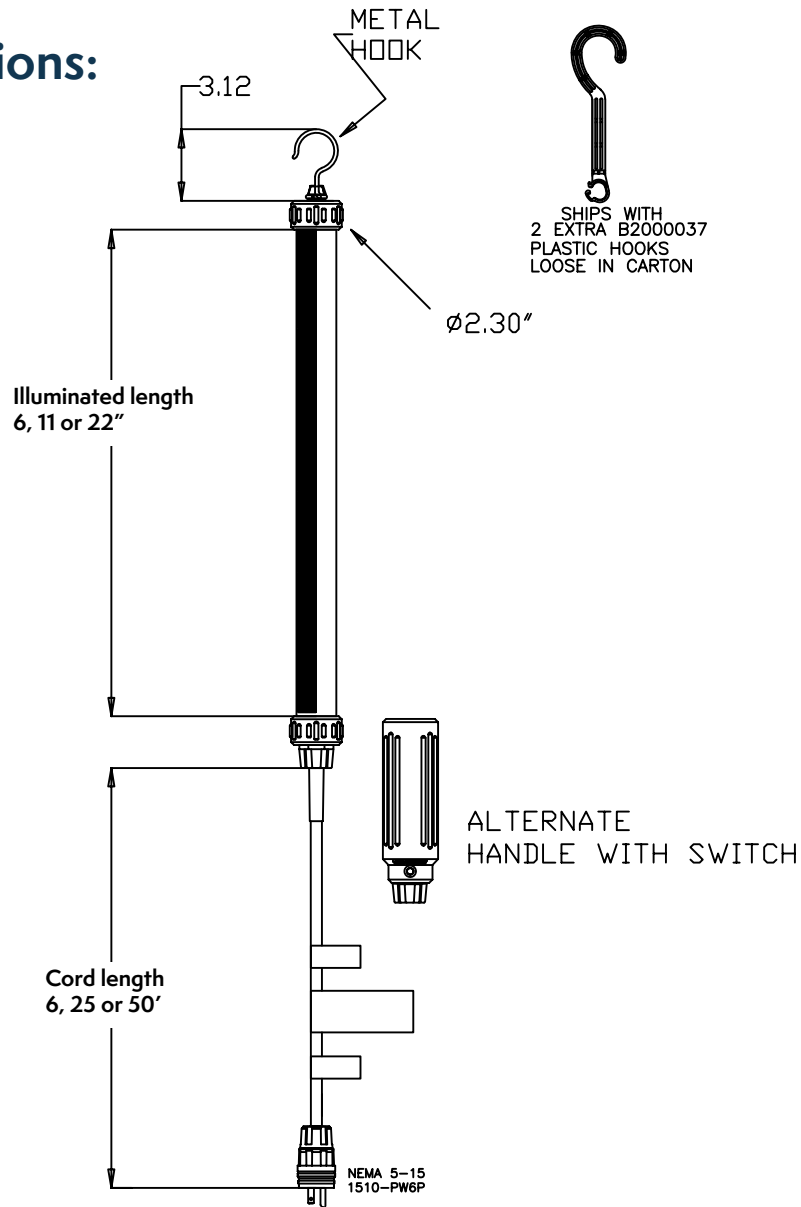
Stringlight Accessories & Replacement Parts:

Part Number	Description	Image Reference
910-CH	Replacement end Cap with Metallic Hook	A
TS-14**	Clear Lens shield 1' (4pcs per package)	B
TS-24	Clear Lens shield 2' (4pcs per package)	B
TS-14-F**	Frosted lens shield 1' (4pcs per package)	B
TS-24-F	Frosted lens shield 2' (4pcs per package)	B
1510-PW6P	NEMA 5-15 watertight plug	C
MOUNT-MAG-CLAMP	Magnet Mount, 2-Pack with Tube Clamp	E
MOUNT-MAG-HOOK	Magnet Mount, 2-Pack with Hookeye	F
MOUNT-MAG-STRAP	Magnet Mount, 2-Pack with 8" Velcro Strap	G
MOUNT-STRAP-18	Velcro Strap 2-Pack 18x3/4" Black 2-Pack	H

** For HL06 Use Series TS-14 or TS-14F.



Product Dimensions:



Related Products:

Click on an image or scan the QR Code for more product information.

Learn More



7 & 9
Industrial Grade Handlamp



70N
Handlamp



2600
Handlamp Series



Ericson Manufacturing Company
4323 Hamann Parkway
Willoughby, OH 44094, USA



1-800-ERICSON
info@ericson.com
L1000850C

ericson.com